



Custom Design and Fabrication

Need a lightweight composite sandwich panel?

Call a Plascore sales engineer today.

In addition to our line of Plascore Board, Plascore services include custom manufacturing. Plascore offers design, test and prototyping assistance to build you a composite sandwich structure.

Plascore custom panel structures deliver:

- High strength to weight benefits
- Built in and added fasteners, latches, connectors and more
- Custom surface finishes
- Exceptional quality

Plascore offers many manufacturing capabilities that can provide a unique sandwich panel solution for your application.

- CNC Machining
- Cold and Hot Laminating
- Welding
- Finished Edges
- Adhesive Bonding and Assembly
- Powder Coating
- Forming
- Destructive and Non-Destructive Testing

Please include your parameters on this Panel Design Questionnaire and contact us for a quotation.





I. Customer Information

Company _____

Name _____

Address _____

Phone _____ Fax _____

Email _____

Website _____

What is your project timing? _____

II. Design Objectives

1.) Please indicate the intended use for this panel

- Decorative
- Structural
- Non-Structural
- Other (Specify) _____

2.) What is your price objective? \$ _____

3.) How many panels do you need? _____

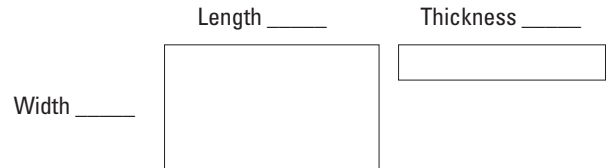
4.) Explain application: _____

5.) Is a part drawing available? _____

6.) What is the current material being used? _____

III. Physical Characteristics

1.) Please indicate panel dimensions:



2.) What is maximum allowable panel thickness? _____ in.

3.) What is minimum allowable panel thickness? _____ in.

4.) What is maximum allowable total panel weight? _____ lbs.

5.) What is minimum allowable total panel weight? _____ lbs.

6.) Please indicate panel type

- Plain, flat panel, (no edging, no frame)
- Flat panel, decorative edging
- Flat panel, framed
- Contoured panel

7.) Are there any visual requirements? _____

8.) What type of surface finish is required?

- Plain mill finish
- Painted
- Peel ply
- Other _____

9.) Do you have requirements for:

- Cut-outs How many? _____ (*enclose sketch*)
- Holes How many? _____
- Treaded inserts How many? _____ What size? _____
- Localized panel interior reinforcements

10.) Desired panel dimensions:

The desired tolerance for length and width is: _____

The desired tolerance for panel flatness is: _____

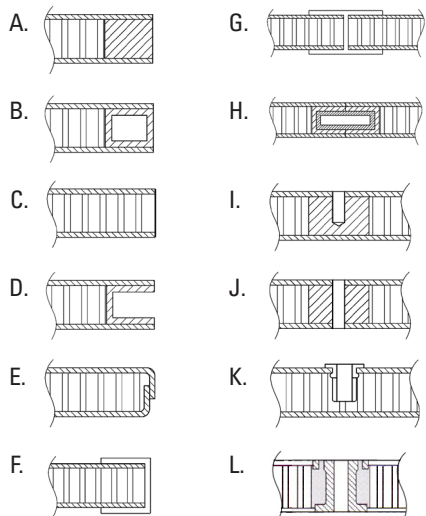
The desired tolerance for thickness is: _____

The desired tolerance for flatness is: _____

Cont.



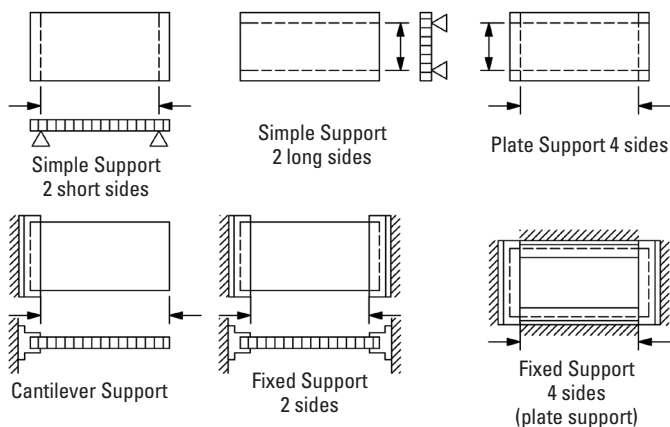
11.) Panel edge and insert design concepts, circle all that apply and indicate a material type (i.e. metal, wood, plastic):



IV. Support Configuration

- 1.) Please indicate how the panel will be supported by:
 - A. Selecting the most appropriate sketch from figure 2
 - B. Completing the dimensional information on that sketch
- 2.) If you have a different support configuration please provide sketch.

Figure 2

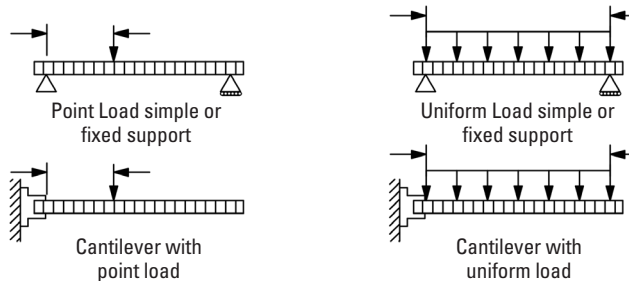


V. Loading Characteristics

- 1.) What is the total load on panel? _____ lbs.
- 2.) Please indicate type of load on the appropriate sketch in figure 3
- 3.) If point load condition, please indicate

A. Point load is distributed over local area of _____ sq. ft.

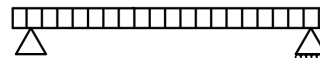
Figure 3



B. Point load is located at (use x,y coordinates from figure 4)

C. If more than one location, please list or indicate all locations

Figure 4



- 4.) What is the maximum allowable panel deflection? _____ in.

VI. End Use Environment

- 1.) What is maximum temperature exposure? _____
- 2.) What is minimum temperature exposure? _____
- 3.) Is temperature constant? _____ How does it vary? _____
- 4.) Will the panel be exposed to moisture? _____
 - Continually?
 - Intermittently?
- 5.) Will the panel be exposed to chemicals?
 - A. If yes, please list:

VII. Certification

- 1.) Any quality testing/certification required? Specification # _____
- 2.) Any prototypes required? _____



VIII. Panel Composite Options

Core Materials:

- Plascore PC Honeycomb Core
- Plascore Aluminum Honeycomb Core
- Plascore Nomex Honeycomb Core
- Plascore PP Honeycomb Core
- Foam Core Type _____

Facing Materials:

- Aluminum Alloy, 3003 Mill finish (Other aluminum alloys are available for more demanding structural requirements).
- Aluminum Alloy, 3003, Painted
- Reinforced Epoxy
- Reinforced Phenolic
- Reinforced Polyester
- Stainless Steel
- Galvanized Steel
- High Pressure Laminate
- Decorative Thermoplastics
- Plywood
- Other _____

Plascore, Inc., employs a quality management system that is AS/EN/JISQ 9100 and ISO 9001:2008 certified.

IMPORTANT NOTICE: The information contained in these materials regarding Plascore's products, processes, or equipment, is intended to be up to date, accurate, and complete. However, Plascore cannot warrant that this is always the case. Accordingly, it is a purchaser's or user's responsibility to perform sufficient testing and evaluation to determine the suitability of Plascore's products for a particular purpose. Information in these materials and product specifications does not constitute an offer to sell. Your submission of an order to Plascore constitutes an offer to purchase which, if accepted by Plascore, shall be subject to Plascore's terms and conditions of sale. **PLASCORE MAKES NO WARRANTIES OF ANY KIND REGARDING THESE MATERIALS OR INFORMATION, EITHER EXPRESS OR IMPLIED, INCLUDING WITHOUT LIMITATION THE IMPLIED WARRANTIES OF MERCHANTABILITY AND FITNESS FOR A PARTICULAR PURPOSE.** Plascore owns and shall retain all worldwide rights in its intellectual property, and any other trademarks used in these materials are the property of their respective owners. The information in these materials shall not be construed as an inducement, permission, or recommendation to infringe any patent or other intellectual property rights of any third parties

Corporate Headquarters

Plascore Incorporated
615 N. Fairview St.
Zeeland, MI 49464-0170
USA

Phone (616) 772-1220
Toll Free (800) 630-9257
Fax (616) 772-1289

Web www.plascore.com
Email sales@plascore.com

Europe

Plascore GmbH&CoKG
Feldborn 6
D-55444 Waldlaubersheim
Germany

Phone +49(0) 6707-9143 13
Fax +49(0) 6707-9143 40

Web www.plascore.de
Email sales.europe@plascore.com

