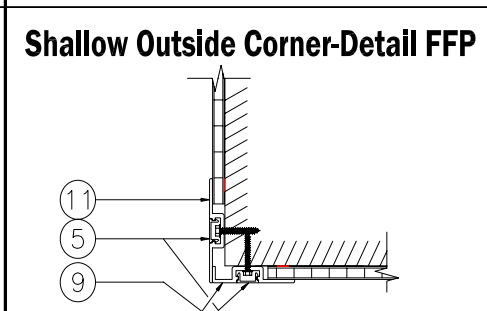
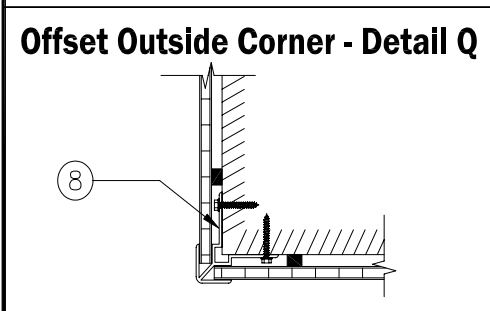
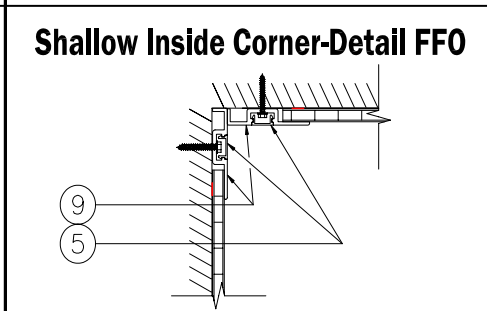
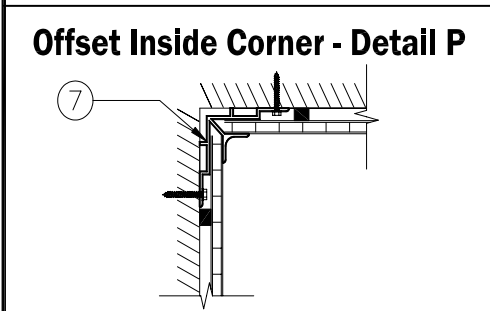
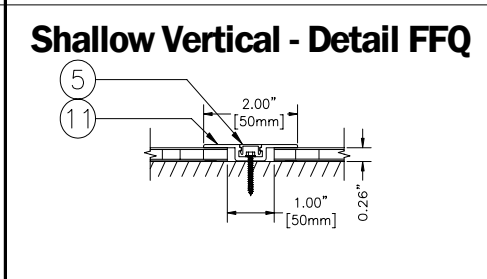
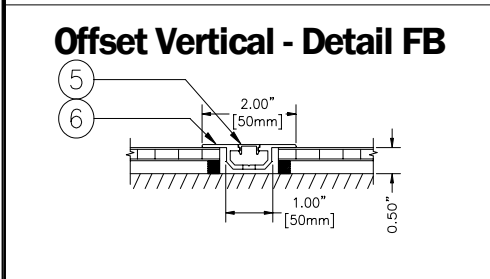
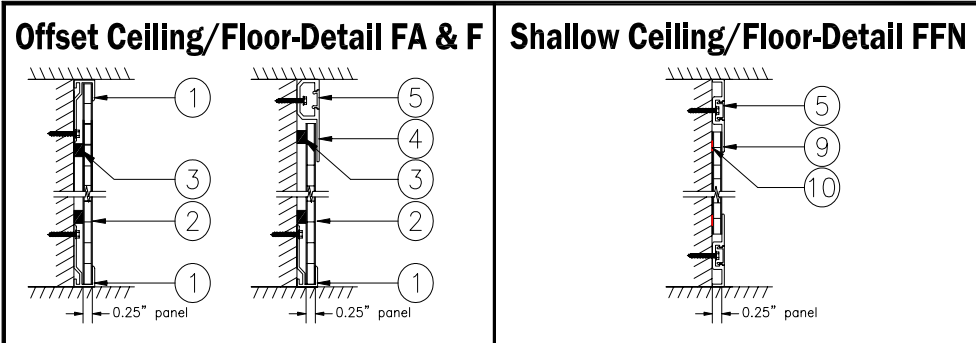


THIS DOCUMENT CONTAINS PROPRIETARY INFORMATION WHICH MAY NOT BE DISCLOSED TO OTHERS FOR ANY PURPOSE WITHOUT WRITTEN PERMISSION FROM PLASCORE INC.

# L2550

PROJECT NAME: \_\_\_\_\_  
 SUBMITTAL REVISION: \_\_\_\_\_  
 APPROVED BY: \_\_\_\_\_  
 DATE: \_\_\_\_\_



REV.	DATE	DESCRIPTION	SIGNATURE
A	07/22/03	Revised Trimmed Wing Batten	A.Schouman
B	4/26/07	Revised p/n offset J-trim	V. Volkers

CODE	COLOR	CODE	COLOR
A	Shell White	ZA	Anod. w/Shell Enc. Cap
B	Designer White	ZB	Anod. w/Design Enc. Cap
G	Driftwood Grey	ZC	Anod. w/Black Enc. Cap
J	Polar White	ZG	Anod. w/Driftwood Grey Enc. Cap
Z	Satin Anodized		

These details are typical for the Plascore L2550 Wall System. Please contact Plascore for details about specific applications.

No.	Qty	Item No.	Description	Finish
ALL FASTENERS --- BY OTHERS ---				
11		831085	BATTEN, 2" SHALLOW	A,B,J or Z
10		850191	GASKET, POLYETHYLENE 1/16"x1/4"	BLACK
9		831086	BATTEN, 1.75" SHALLOW	A,B,J or Z
8		830203	1/4" OFFSET OUTSIDE CORNER	A,B,J or Z
7		830204	1/4" OFFSET INSIDE CORNER	A,B,J or Z
6		830647	T-BATTEN, 2"	A,B,J or Z
5		830603	ENCLOSURE CAP	A,B,G or J
4		830749	BATTEN, TRIMMED WING	A,B,J or Z
3		840083	GASKET, POLYETHYLENE 3/8"x1/4"	BLACK
2			0.25" PANEL	A,B,G or J
1		830206	OFFSET J-TRIM	A,B,J or Z

UNLESS OTHERWISE SPECIFIED, DIMENSIONS ARE IN INCHES AND TOLERANCES ON:

XXXXX = CRITICAL DIM LEVEL 2  
 XXXXX<sup>3</sup> = CRITICAL DIM LEVEL 3

FRACTIONS: = ± 1/16  
 DECIMALS: X=±0.1  
 .X=±0.06  
 .XX=±0.03  
 .XXX=±0.01

ANGLES: = ± 2'

CAD# 831072XCK-a

**PLASCORE** 615 N. FAIRVIEW STREET  
 ZEELAND, MICHIGAN 49464  
 (616) 772-1220

DWG TITLE:  
 L2550 Wall System  
 Detail Overview  
 DETAIL (XCK)

SIZE	FSCM	DWG NUMBER	REV
A	39212	831072XCK	B

DRAWN BY: A. SCHOUMAN DATE: 06/24/03  
 ENGRG: QC APP.

SCALE: SHEET: 1 OF 1