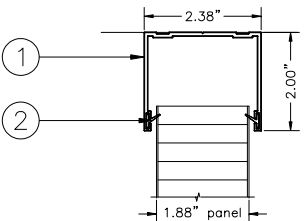
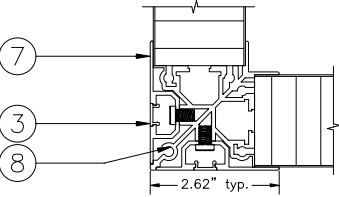
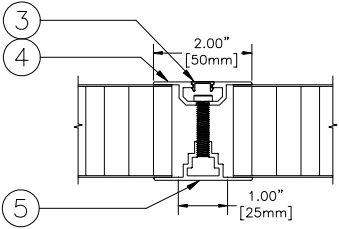
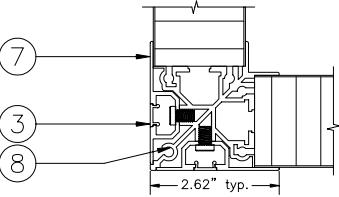
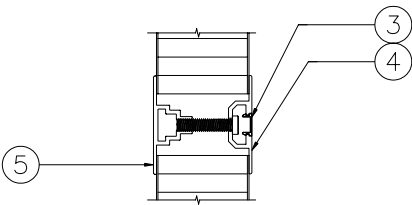
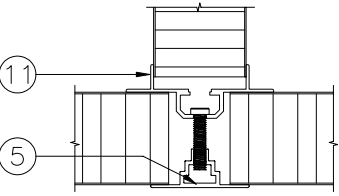
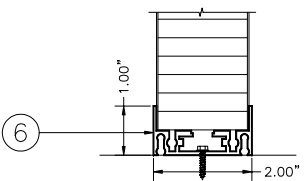
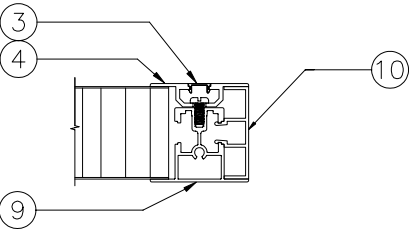


THIS DOCUMENT CONTAINS PROPRIETARY INFORMATION WHICH MAY NOT BE DISCLOSED TO OTHERS FOR ANY PURPOSE WITHOUT WRITTEN PERMISSION FROM PLASCORE INC.

# SL2550

PROJECT NAME: \_\_\_\_\_  
 SUBMITTAL REVISION: \_\_\_\_\_  
 APPROVED BY: \_\_\_\_\_  
 DATE: \_\_\_\_\_

<p><b>Head Track - Detail XB*</b></p> 	<p><b>Outside Corner - Detail EB</b></p> 	<table border="1" style="width: 100%; border-collapse: collapse;"> <thead> <tr> <th>REV.</th> <th>DATE</th> <th>DESCRIPTION</th> <th>SIGNATURE</th> </tr> </thead> <tbody> <tr> <td>--</td> <td>--</td> <td>--</td> <td>--</td> </tr> </tbody> </table> <table border="1" style="width: 100%; border-collapse: collapse;"> <thead> <tr> <th>CODE</th> <th>COLOR</th> <th>CODE</th> <th>COLOR</th> </tr> </thead> <tbody> <tr> <td>A</td> <td>Shell White</td> <td>ZA</td> <td>Anod. w/Shell Enc. Cap</td> </tr> <tr> <td>B</td> <td>Designer White</td> <td>ZB</td> <td>Anod. w/Design Enc. Cap</td> </tr> <tr> <td>G</td> <td>Driftwood Grey</td> <td>ZC</td> <td>Anod. w/Black Enc. Cap</td> </tr> <tr> <td>J</td> <td>Polar White</td> <td>ZG</td> <td>Anod. w/Driftwood Grey Enc. Cap</td> </tr> <tr> <td>Z</td> <td>Satin Anodized</td> <td></td> <td></td> </tr> </tbody> </table> <p>These details are typical for the Plascore SL2550 Wall System. Please contact Plascore for details about specific applications.</p> <p>* represents one of many Headtrack details available – contact Plascore for others</p>		REV.	DATE	DESCRIPTION	SIGNATURE	--	--	--	--	CODE	COLOR	CODE	COLOR	A	Shell White	ZA	Anod. w/Shell Enc. Cap	B	Designer White	ZB	Anod. w/Design Enc. Cap	G	Driftwood Grey	ZC	Anod. w/Black Enc. Cap	J	Polar White	ZG	Anod. w/Driftwood Grey Enc. Cap	Z	Satin Anodized														
REV.	DATE	DESCRIPTION	SIGNATURE																																												
--	--	--	--																																												
CODE	COLOR	CODE	COLOR																																												
A	Shell White	ZA	Anod. w/Shell Enc. Cap																																												
B	Designer White	ZB	Anod. w/Design Enc. Cap																																												
G	Driftwood Grey	ZC	Anod. w/Black Enc. Cap																																												
J	Polar White	ZG	Anod. w/Driftwood Grey Enc. Cap																																												
Z	Satin Anodized																																														
<p><b>Vertical - Detail DG</b></p> 	<p><b>Inside Corner - Detail EB</b></p> 	<table border="1" style="width: 100%; border-collapse: collapse;"> <tbody> <tr> <td>11</td> <td>830598</td> <td>BATTEN, 2" T-INTERSECT</td> <td>A,B,J or Z</td> </tr> <tr> <td>10</td> <td>830605</td> <td>GLAZING CLIP, NONE ABS</td> <td>A,B,G or J</td> </tr> <tr> <td>9</td> <td>831934</td> <td>POST, F2550</td> <td>A,B,J or Z</td> </tr> <tr> <td>8</td> <td>831111</td> <td>CORNER POST, 2"</td> <td>A,B,J or Z</td> </tr> <tr> <td>7</td> <td>830593</td> <td>T-BATTEN, 2.5"</td> <td>A,B,J or Z</td> </tr> <tr> <td>6</td> <td>831114</td> <td>FLOOR TRACK</td> <td>A,B,J or Z</td> </tr> <tr> <td>5</td> <td>831125</td> <td>BATTEN, 2" FRONT</td> <td>A,B,J, or Z</td> </tr> <tr> <td>4</td> <td>830647</td> <td>T-BATTEN, 2"</td> <td>A,B,J or Z</td> </tr> <tr> <td>3</td> <td>830606</td> <td>ENCLOSURE CAP</td> <td>A,B,G or J</td> </tr> <tr> <td>2</td> <td>830686</td> <td>HEAD TRACK GASKET</td> <td>WHITE</td> </tr> <tr> <td>1</td> <td>831933</td> <td>HEAD TRACK, 2.38"</td> <td>A,B,J or Z</td> </tr> </tbody> </table>		11	830598	BATTEN, 2" T-INTERSECT	A,B,J or Z	10	830605	GLAZING CLIP, NONE ABS	A,B,G or J	9	831934	POST, F2550	A,B,J or Z	8	831111	CORNER POST, 2"	A,B,J or Z	7	830593	T-BATTEN, 2.5"	A,B,J or Z	6	831114	FLOOR TRACK	A,B,J or Z	5	831125	BATTEN, 2" FRONT	A,B,J, or Z	4	830647	T-BATTEN, 2"	A,B,J or Z	3	830606	ENCLOSURE CAP	A,B,G or J	2	830686	HEAD TRACK GASKET	WHITE	1	831933	HEAD TRACK, 2.38"	A,B,J or Z
11	830598	BATTEN, 2" T-INTERSECT	A,B,J or Z																																												
10	830605	GLAZING CLIP, NONE ABS	A,B,G or J																																												
9	831934	POST, F2550	A,B,J or Z																																												
8	831111	CORNER POST, 2"	A,B,J or Z																																												
7	830593	T-BATTEN, 2.5"	A,B,J or Z																																												
6	831114	FLOOR TRACK	A,B,J or Z																																												
5	831125	BATTEN, 2" FRONT	A,B,J, or Z																																												
4	830647	T-BATTEN, 2"	A,B,J or Z																																												
3	830606	ENCLOSURE CAP	A,B,G or J																																												
2	830686	HEAD TRACK GASKET	WHITE																																												
1	831933	HEAD TRACK, 2.38"	A,B,J or Z																																												
<p><b>Horizontal - Detail DG</b></p> 	<p><b>T-Intersection - Detail DK</b></p> 	<table border="1" style="width: 100%; border-collapse: collapse;"> <thead> <tr> <th>No.</th> <th>Qty</th> <th>Item No.</th> <th>Description</th> <th>Finish</th> </tr> </thead> <tbody> <tr> <td> </td> <td> </td> <td> </td> <td> </td> <td> </td> </tr> </tbody> </table>		No.	Qty	Item No.	Description	Finish																																							
No.	Qty	Item No.	Description	Finish																																											
<p><b>Floor Track - Detail BF</b></p> 	<p><b>Wall End - Detail XV</b></p> 	<p>UNLESS OTHERWISE SPECIFIED, DIMENSIONS ARE IN INCHES AND TOLERANCES ON:</p> <p>XXXXX = CRITICAL DIM LEVEL 2</p> <p>XXXXX<sup>3</sup> = CRITICAL DIM LEVEL 3</p> <p>FRACTIONS: = ± 1/16</p> <p>DECIMALS: X=±0.1              .X=±0.06              .XX=±0.03              .XXX=±0.01</p> <p>ANGLES: = ± 2°</p> <p>CAD# 831072XCG</p>																																													
		<p style="text-align: right;">615 N. FAIRVIEW STREET              ZEELAND, MICHIGAN 49464              (616) 772-1220</p> <p><b>PLASCORE</b></p> <p>DWG TITLE:              SL2550 Wall System              Detail Overview              DETAIL (XCG)</p> <table border="1" style="width: 100%; border-collapse: collapse;"> <thead> <tr> <th>SIZE</th> <th>FSCM</th> <th>DWG NUMBER</th> <th>REV</th> </tr> </thead> <tbody> <tr> <td>A</td> <td>39212</td> <td>831072XCG</td> <td>—</td> </tr> </tbody> </table> <p>DRAWN BY: A. SCHOUMAN      DATE: 06/24/03</p> <p>ENGRG:      QC APP.</p> <p>SHEET: 1 OF 1</p>		SIZE	FSCM	DWG NUMBER	REV	A	39212	831072XCG	—																																				
SIZE	FSCM	DWG NUMBER	REV																																												
A	39212	831072XCG	—																																												